

FAUCETS 101

FAUCET DIAGNOSTICS

FIXING A LEAKY FAUCET

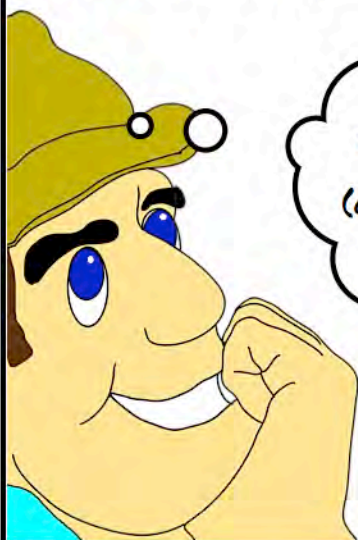
© 2010 MAIN STREET PLUMBING PARTS, A DIVISION OF TMS SOUTH, INC.

BEFORE BEGINNING YOUR PROJECT YOU SHOULD ASSESS THE PROBLEM.

IF THE FAUCET LEAKS FROM THE BASE OF THE SPOUT, YOUR PROBLEM IS A DEFECTIVE O-RING.

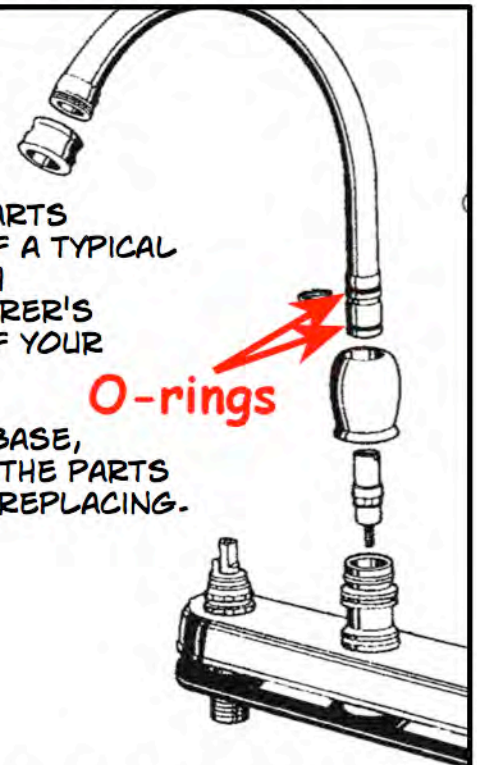
IF WATER IS COMING FROM INSIDE THE SPOUT, YOUR PROBLEM IS WITH THE STEM.

IF THE PROBLEM IS WITH THE STEM, YOU NEED TO FIND OUT WHAT KIND OF STEM YOU HAVE. YOU'LL HAVE ONE OF FOUR DIFFERENT KINDS - COMPRESSION, WASHERLESS CARTRIDGE, CERAMIC DISC OR SINGLE LEVER. (FOR HELP IDENTIFYING YOUR STEM, SEE OUR HOW-TO-GUIDE TITLED "STEM IDENTIFICATION".)



DOES THE SPOUT LEAK OR DOES ONE (OR BOTH) OF THE HANDLES LEAK?

THIS IS A PARTS DIAGRAM OF A TYPICAL SPOUT WITH MANUFACTURER'S O-RINGS. IF YOUR FAUCET IS LEAKING FROM THE BASE, THESE ARE THE PARTS THAT NEED REPLACING.



MAIN STREET PLUMBING PARTS.COM HAS AN O-RING ASSORTMENT THAT CONTAINS 12 OF THE MOST COMMON O-RING SIZES NEEDED. JUST ORDER PART #41001400





Packing Nut

Packing Ring
Bonnet

Stem

Gasket
Seat



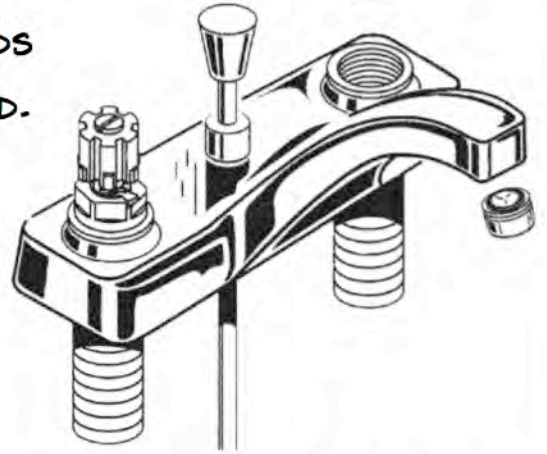
Packing

THIS IS A PARTS DIAGRAM OF A TYPICAL COMPRESSION STEM ASSEMBLY. THE PARTS THAT TEND TO WEAR OUT ARE LABELED IN RED. IT'S BEST TO REPLACE THE WHOLE STEM.

TO REPLACE THIS TYPE OF STEM, SEE THE HOW-TO-GUIDE "HOW TO FIX A LEAKY COMPRESSION FAUCET"

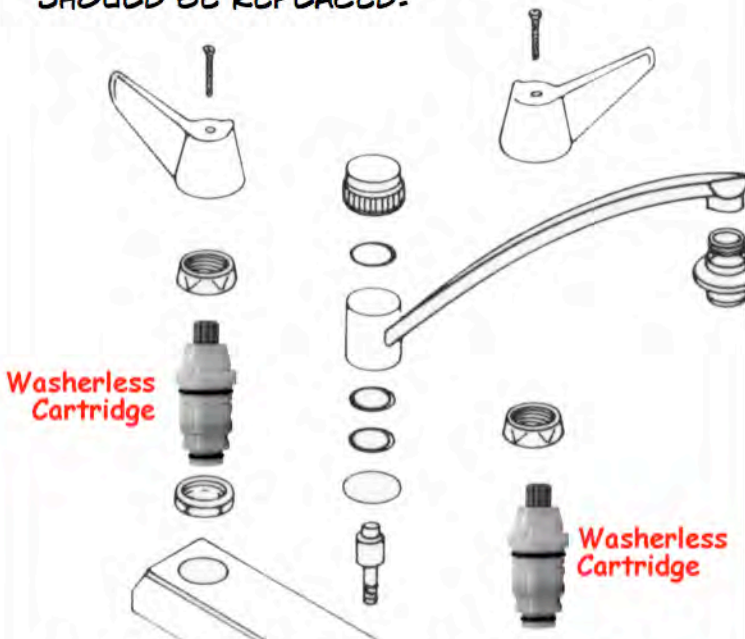
THIS IS A PARTS DIAGRAM OF A TYPICAL CERAMIC CARTRIDGE: THE ONE SHOWN IS FOR A LAVATORY, BUT KITCHEN AND TUB FAUCETS ARE VERY SIMILAR. ON THESE FAUCETS THE WHOLE CARTRIDGE IS SUBJECT TO WEAR AND NEEDS TO BE REPLACED.

Ceramic Cartridge



TO REPLACE THIS STEM, SEE THE HOW-TO-GUIDE "HOW TO FIX A LEAKY CERAMIC DISC FAUCET"

THIS IS A PARTS DIAGRAM FOR A TYPICAL FAUCET WITH A WASHERLESS CARTRIDGE. AS IS THE CASE WITH THE CERAMIC CARTRIDGE, THE WHOLE STEM IS SUBJECT TO WEAR AND THE ENTIRE UNIT SHOULD BE REPLACED.

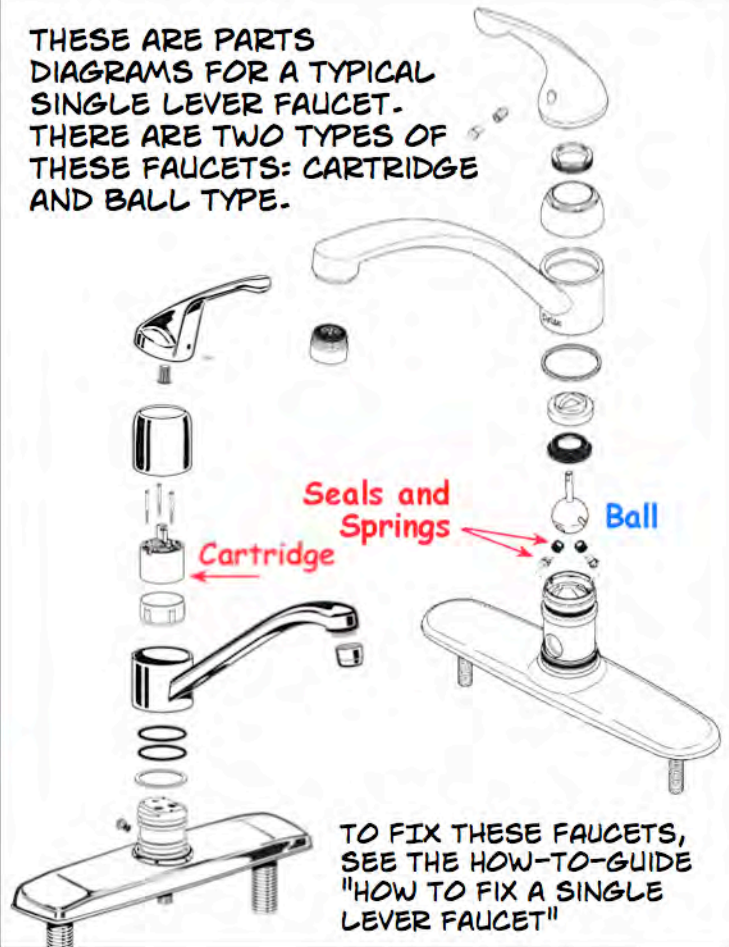


Washerless Cartridge

Washerless Cartridge

TO REPLACE THIS STEM, SEE THE HOW-TO-GUIDE "HOW TO FIX A LEAKY WASHERLESS FAUCET"

THESE ARE PARTS DIAGRAMS FOR A TYPICAL SINGLE LEVER FAUCET. THERE ARE TWO TYPES OF THESE FAUCETS: CARTRIDGE AND BALL TYPE.



Seals and Springs
Cartridge

Ball

TO FIX THESE FAUCETS, SEE THE HOW-TO-GUIDE "HOW TO FIX A SINGLE LEVER FAUCET"

NOW THAT YOU'VE SEEN THE POSSIBLE PROBLEMS WITH YOUR FAUCET, GO TO WWW.MAINSTREETPLUMBINGPARTS.COM TO FIND THE PARTS YOU NEED TO FIX IT!

WITH HUNDREDS OF STEMS AND CARTRIDGES, TOOLS, REBUILD AND TRIM KITS, WE'VE GOT THE PART YOU NEED! ONCE YOU GET YOUR PART, WE'VE GOT MORE HOW-TO-GUIDES ON HOW TO GET THE JOB DONE!

**NOW THAT YOU KNOW
WHAT'S CAUSING THE
Problem**

YOU'RE READY TO FIX IT!



UP NEXT...

**FAUCETS 101:
FIXING A
LEAKY COMPRESSION FAUCET**

IF YOU DETERMINE THAT THE PROBLEM IS WITH THE STEMS (LEAKING FROM EITHER THE HANDLES OR FROM **INSIDE** THE SPOUT), THE NEXT THING TO DO IS TO REMOVE THE HANDLES.

BEGIN BY REMOVING THE INDEX BUTTON IF NECESSARY AND TAKING OUT THE SCREW IN THE CENTER OF THE HANDLE.

IF THE HANDLE IS DIFFICULT TO REMOVE, USE A HANDLE PULLER (PART # 20200155), WHICH WORKS LIKE UNCORKING A WINE BOTTLE: THE PULLER'S SHAFT FITS INTO THE SCREW HOLE AND THE ARMS GO UNDER THE BASE OF THE HANDLE.

SOME "FIT-ALL" HANDLES HAVE SET SCREWS ON THE SIDE OF THE HANDLE.

© 2010 MAIN STREET PLUMBING PARTS, A DIVISION OF TMS SOUTH, INC.



CONE ESCUTCHEON



FLANGE



TUBE ESCUTCHEON (SLEEVE)

IF YOU'RE WORKING ON A TUB FAUCET, YOU'LL NEED TO REMOVE THE ESCUTCHEONS. IF YOU HAVE A CONE TYPE, IT WILL ALMOST ALWAYS SCREW OFF. IF YOU HAVE A TUBE ESCUTCHEON (SLEEVE), WITH A SEPARATE RING (FLANGE) AROUND IT AT THE BACK, LOOK FOR THE HOLE ON THE EDGE AND LOOSEN THE SCREW BESIDE THE HOLE AND PULL OFF. YOU CAN NOW UNSCREW THE TUBE WITH ADJUSTABLE SOFT-JAW PLIERS, (PART #20200178). THIS WILL PREVENT THE TUBE FROM BEING SCRATCHED.

MOST COMPRESSION FAUCET STEMS HAVE A SMALL PACKING NUT IN THEM. YOU WILL USUALLY SEE WHAT LOOKS LIKE A SMALL PACKING NUT INSIDE THE LARGER STEM BONNET.

IT'S BEST TO LEAVE THE PACKING IN PLACE WHILE TAKING THE STEM OUT. IF YOU HAVE A "CONE" ESCUTCHEON, THE PACKING NUT MAY HAVE COME OFF A THREADED NIPPLE INSIDE THE "CONE". TRY TO REMOVE THE NUT AND RETURN IT TO THE STEM BONNET.

TO FIND OUT WHETHER YOUR LEAK IS ON THE HOT SIDE OR THE COLD SIDE, TURN OFF